

LED WELLGLASS LIGHTING FIXTURES

EVCC-PR3/LED Series - Copper-free aluminium



- Tank inspection lighting fixtures are recommended for applications where high luminous performances are required to light extreme dark spaces such as tanks and/or water towers.
- Manufactured in copper-free aluminium and suitable for LED lamp.

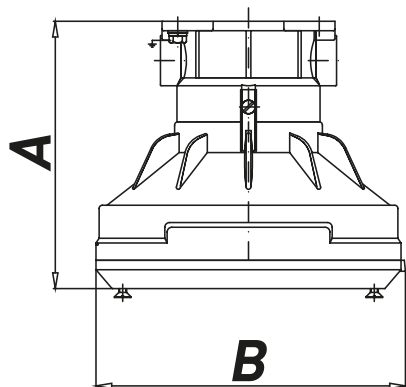
MARKING

II 2 G Ex db IIC T3 Gb
II 2 D Ex tb IIIC T200°C Db

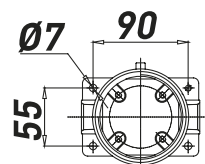
TECHNICAL FEATURES

| | |
|------------------------------------|---|
| Material | Copper-free aluminium and tempered glass |
| IP rating | IP66 |
| Ambient temperature range | -60°C to +60°C |
| Approvals | ATEX: INERIS 01ATEX0019X - IECEX: INE 15.0031X EAC: RU C-IT.BH02.B.00616/20 |
| Zones | Gas Zone: 1, 2 Dust Zone: 21, 22 |
| Rated voltage | 220-240 VAC |
| Frequency | 50/60 Hz |
| Colour rendering index | 80 CRI |
| Colour temperature | 5.700 K 4.000 K upon request |
| Power factor | $\cos \varphi \geq 0,98$ |
| Surge protection | 8kV |
| Driver | Integrated |
| LED Lifetime (L70) Ta+25°C | >25.000 h - according to IES LM-80-08 |
| Hardware and screws | AISI316L stainless steel |
| Coating | Painted by polyuretane painting: RAL5014 painting cycle C4 suitable for On-Shore The reference standard is UNI EN ISO 12944 - 1: 2018 Upon request other colours and painting cycles |
| Entries | 2 x entries M25 Upon request M20, 3/4" and 1/2" NPT |
| Through wiring | Loop-in/ Loop-out |
| Plug | 1 x M25 plastic plug 1 x M25 brass nickel chrome plated plug c/w gasket (mounted) |
| Accessories upon request | Mounting kit in AISI316L stainless steel: Pole mounting kit, from 1" 1/2 up to 2" Cable gland kit in brass nickel chrome or AISI316L stainless steel Protection guard in AISI316L stainless steel Mounting plate for internal lighting tank inspection |

Dimensions EVCC LED



Fixing detail



LED EVCC-PR tank inspection lights

| CODE | TYPE | POWER [W] | LUMEN [lm] | LUM. EFF [lm/W] | DIMENSIONS [mm] | | WEIGHT |
|---------------|--------------|-----------|------------|-----------------|-----------------|-----|--------|
| | | | | | A | B | |
| A031660790001 | EVCC-PR3/LED | 5,5 | 540 | 86 | 170 | 194 | 5,00 |
| A031660710001 | EVCC-PR3/LED | 9 | 820 | 90 | 170 | 194 | 5,00 |

Photometric light curves

